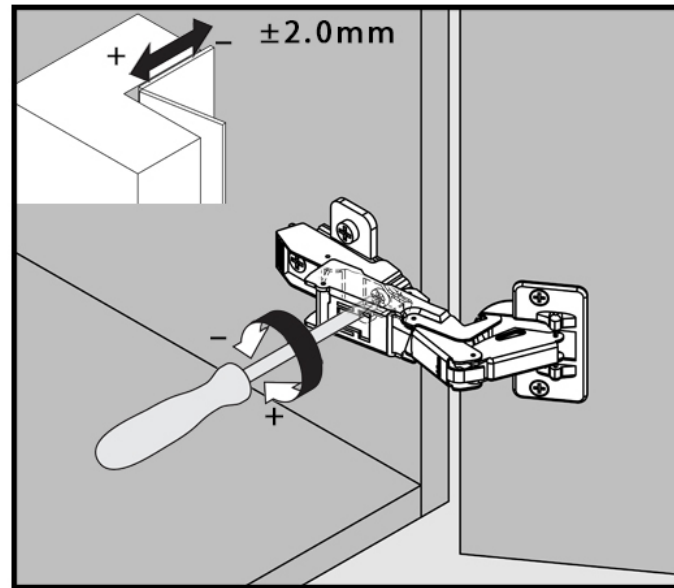
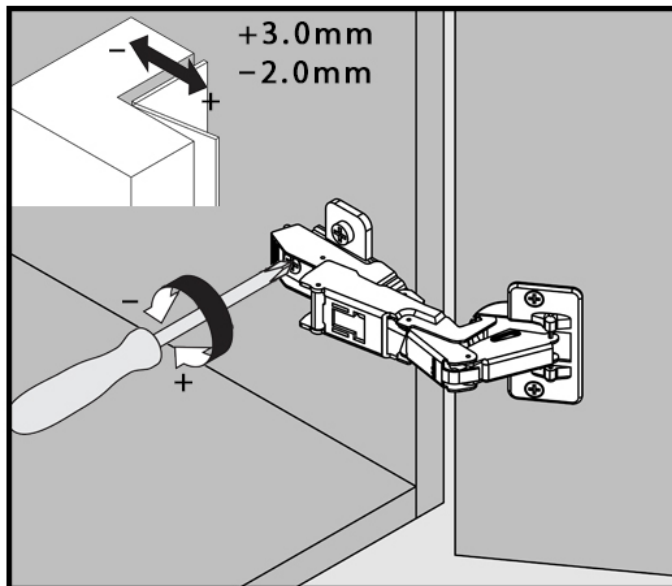


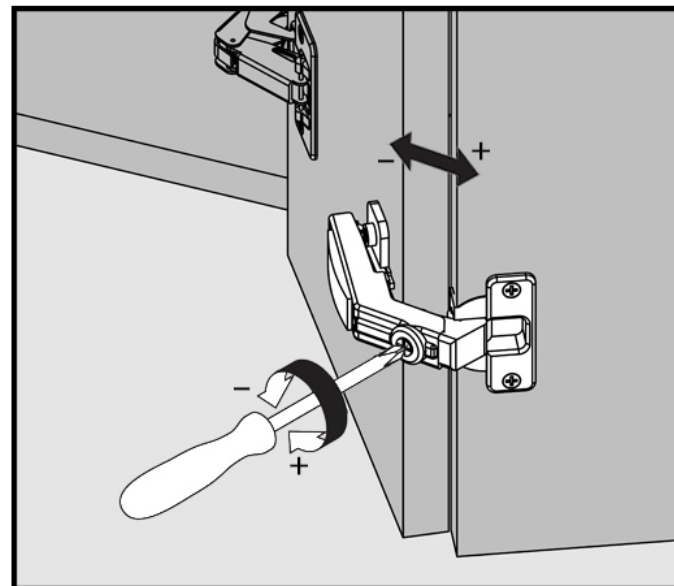
HEIGHT ADJUSTMENT



SIDE ADJUSTMENT



DEPTH ADJUSTMENT



CORNER REVEAL ADJUSTMENT

PIE-CUT CORNER HINGES
ADJUSTMENTS

